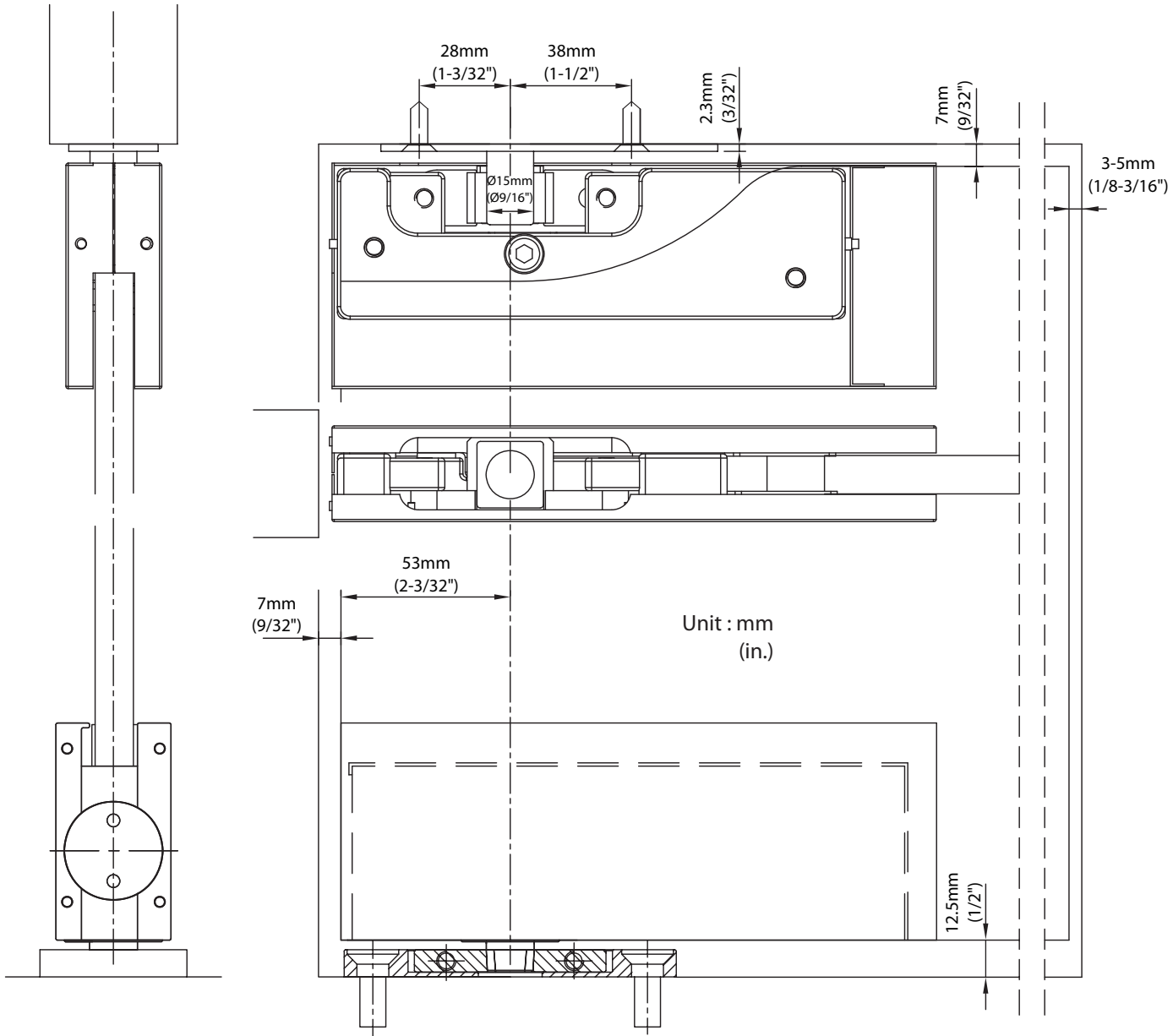
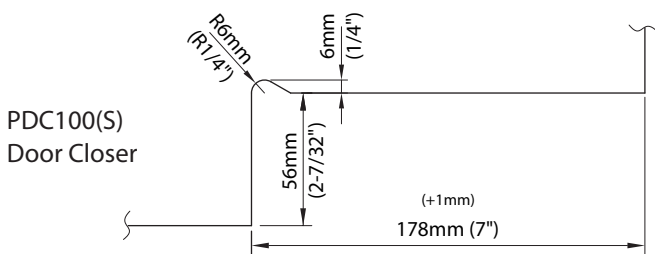
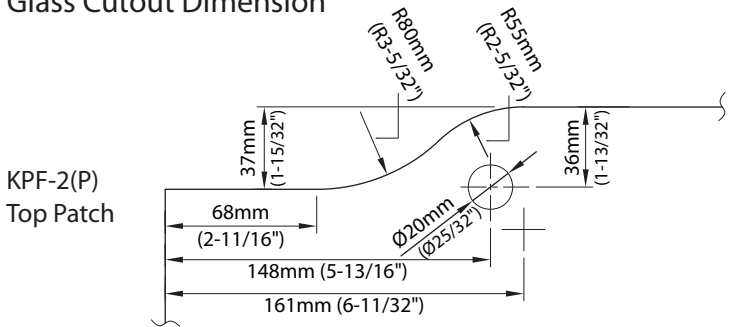


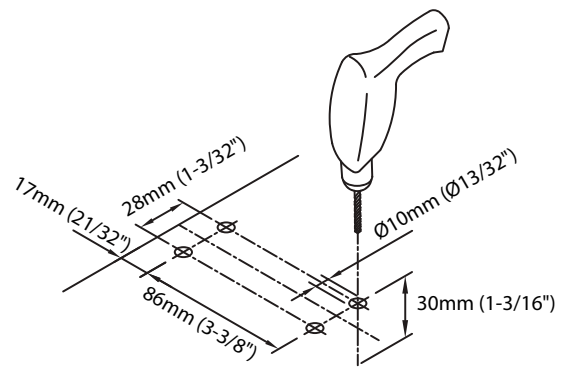
PDC100(S) / KPF-2P / TP1 Installation



Glass Cutout Dimension



Bottom Plate Installation



Unit : mm (in.)